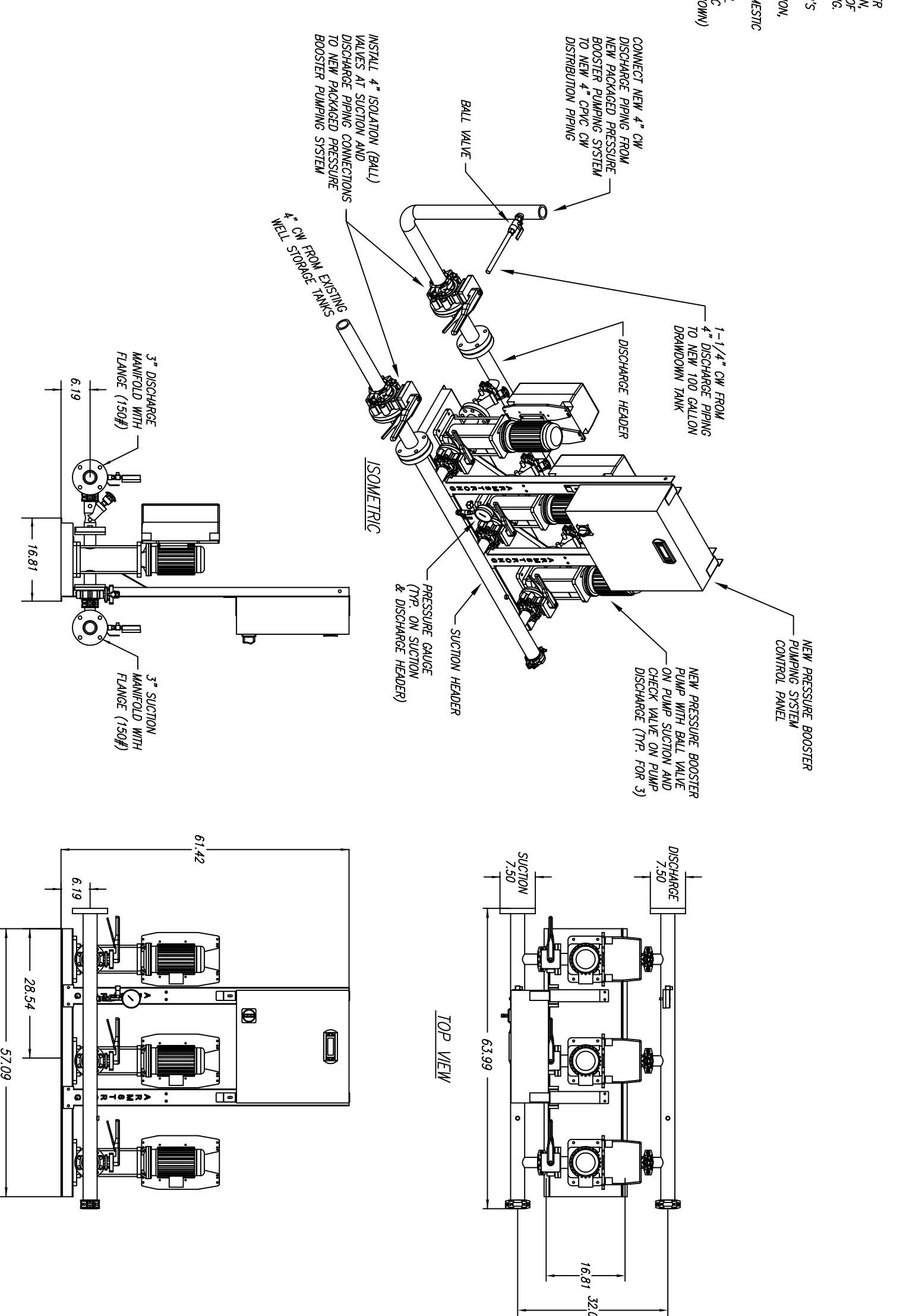
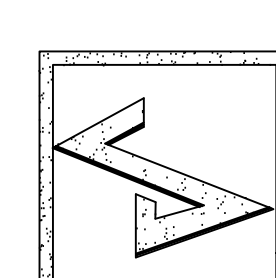


**1 FLOOR PLAN - PLUMBING**  
SCALE: 1/16" = 1'-0"  
PLAN

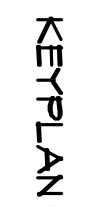
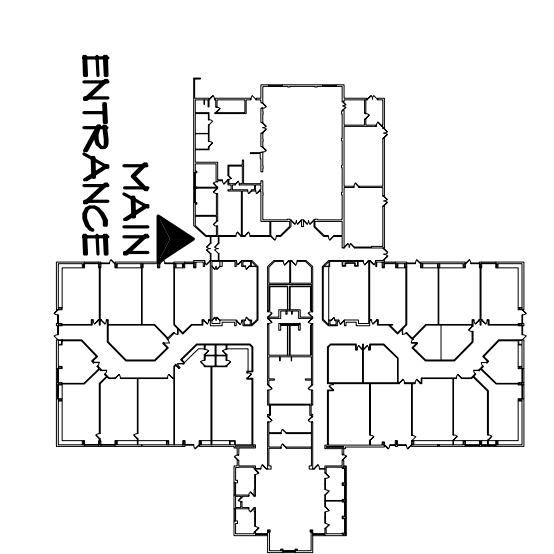
- PLUMBING NOTES**
1. THE PLUMBING CONTRACTOR SHALL COORDINATE ALL WORK TO BE PERFORMED WITH THE GENERAL, HVAC AND ELECTRICAL CONTRACTORS. ANY WORK DONE BY THE CONTRACTOR WHICH INTERFERES WITH WORK BY OTHERS AND WHICH WAS NOT FIRST COORDINATED SHALL BE REMOVED AND RELOCATED AT PLUMBING CONTRACTOR'S EXPENSE.
  2. THIS CONTRACTOR SHALL BE RESPONSIBLE FOR VERIFICATION OF ALL UTILITIES AND THE PLACEMENT OF ALL PLUMBING EQUIPMENT PRIOR TO THE START OF HIS WORK. NO EXHIBS WILL BE ALLOWED DUE TO EQUIPMENT INTERFERENCE.
  3. IT IS THE INTENT THAT THE WORK SHALL BE COMPLETED IN ACCORDANCE WITH ALL APPLICABLE CODES AND OWNER'S MANUAL. NOT SPECIFICALLY MENTIONED OR SHOWN ON THE DRAWINGS BUT NECESSARY TO FULLY COMPLETE THE WORK SHALL BE PROVIDED.
  4. THE LOCATION OF SOME TRAPS SHOWN ON THE DRAWINGS MAY BE APPROPRIATE AND THE OWNER SHALL HAVE THE FINAL SAY.
  5. ALL WORK SHALL BE PERFORMED IN ACCORDANCE WITH ALL APPLICABLE CODES AND OWNER'S MANUAL.
  6. THIS CONTRACTOR SHALL FINISH AND INSTALL ALL NECESSARY VALVES, TRAPS AND ALL CONTROL DEVICES.
  7. REQUIRED FOR PROPER COMPLETION OF UTILITY PIPING. REFER TO SPECIFICATIONS FOR APPROVAL, INTERGRATION & ALL NEW DOMESTIC WATER PIPING SHALL BE INSULATED WITH BARRIERLESS INSULATION HAVING A VAPOR BARRIER JACKET WITH SEALED JOINTS. REFER TO SPECIFICATIONS FOR REQUIRED INSULATION THICKNESS.



PACKAGED PRESSURE BOOSTER SYSTEM TOP/FRONT/SIDE VIEWS WITH ISOMETRIC  
NO SCALE



**AHARONIAN & ASSOCIATES INC.**  
ARCHITECTS  
310 Green, Whitehall Highway  
Suite 100  
Smithfield, Rhode Island  
0 2 9 1 7  
T 401-232-5010  
F 401-232-5080  
WWW.AHARONIAN.COM

REVISIONS	NUMBER	REMARKS	DATE

<b>FOR CONSTRUCTION</b>	
PROJECT TITLE	Fogarty Memorial School
736 Snake Hill Road North Scituate, RI 02857	
PLUMBING RENOVATIONS	
DRAWING TITLE	
<b>PLUMBING FLOOR PLAN</b>	
DATE	PROJ NO
JUNE 1, 2017	161052
DRAWN BY	CHECKED BY
RKB	RKB
DRAWING NUMBER	
<b>P1.1</b>	