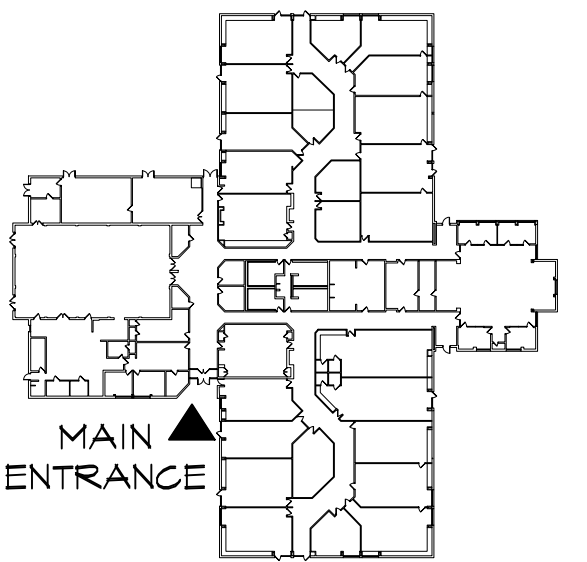


AHARONIAN
& ASSOCIATES INC.
ARCHITECTS

310 George Washington Highway
Suite 100
Smithfield, Rhode Island
0 2 9 1 7

T 401-232-5010
F 401-232-5080
WWW.ARCH-ENG.COM



KEYPLAN

REVISIONS		
NUMBER	REMARKS	DATE

PRELIMINARY
NOT FOR CONSTRUCTION

FOR CONSTRUCTION

PROJECT TITLE

Fogarty
Memorial School
ELEMENTARY SCHOOL
736 Snake Hill Road
N. Scituate, RI 02857

EXTERIOR RENOVATIONS

DRAWING TITLE

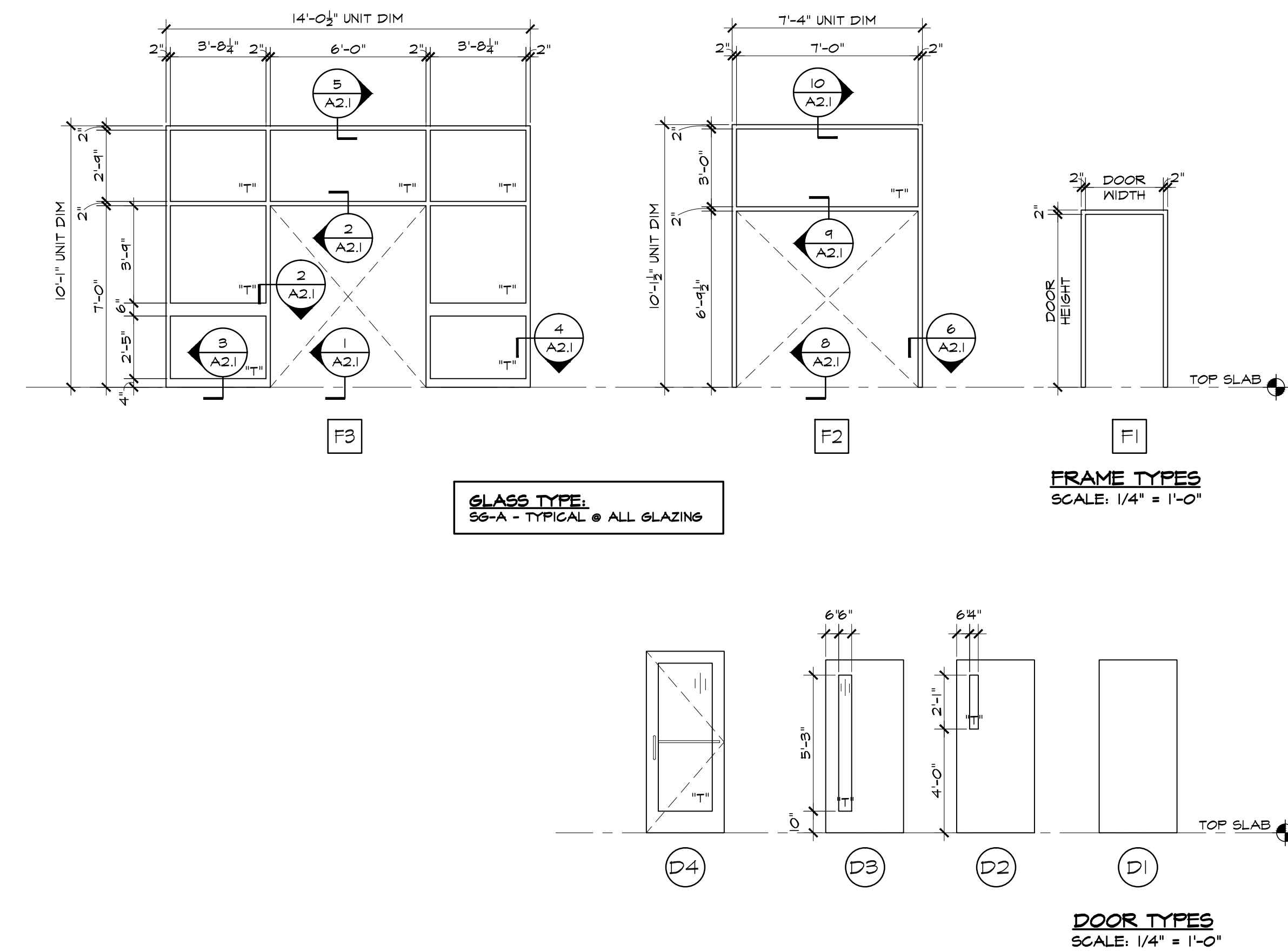
DOOR &
STOREFRONT
SCHEDULE & DTLS

DATE: JUNE 1, 2017 PROJ NO: 16105.2

DRAWN BY: DH CHECKED BY: JA

DRAWING NUMBER

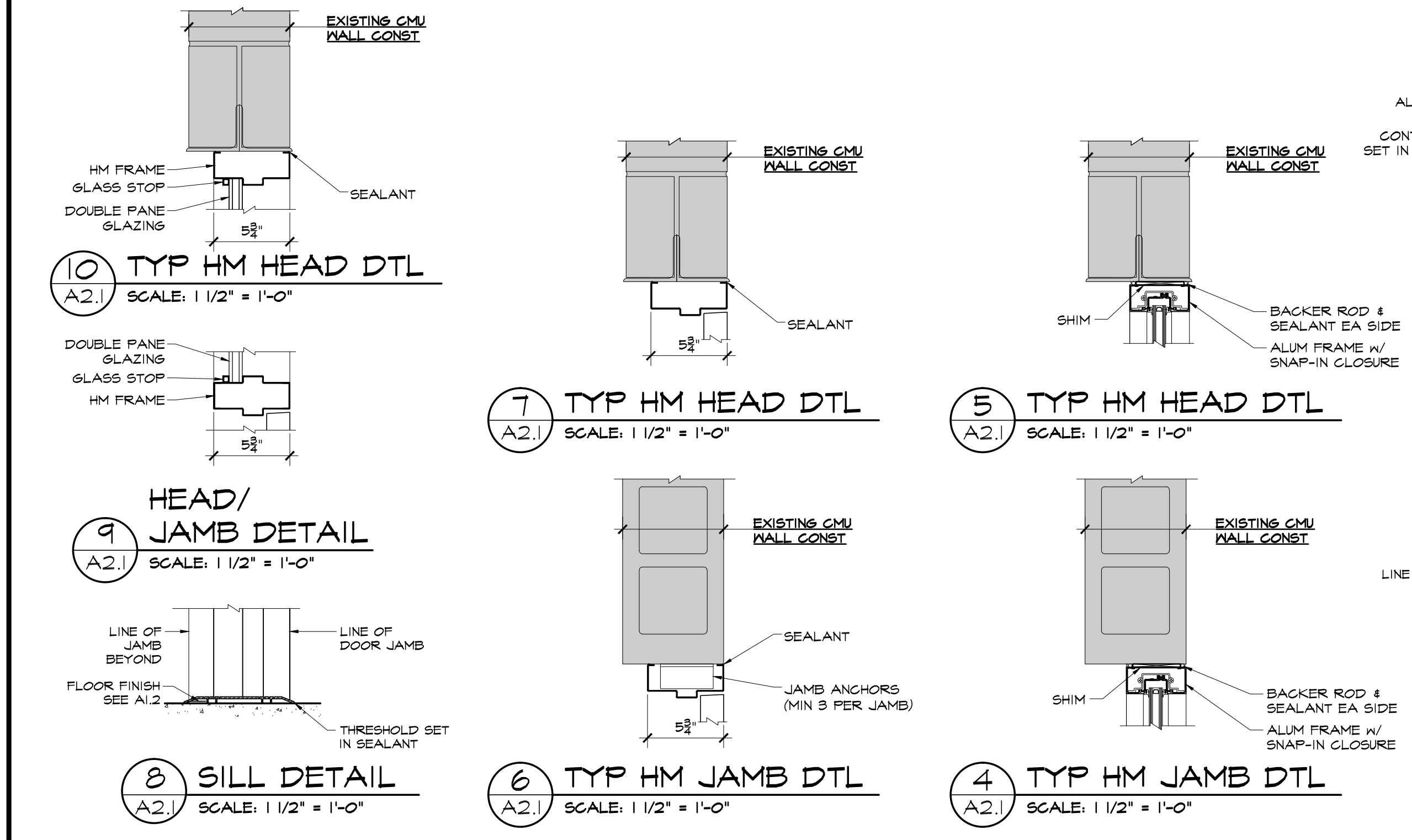
A2.1



GLASS TYPE:
55-A - TYPICAL @ ALL GLAZING

DOOR TYPES
SCALE: 1/4" = 1'-0"

DOOR SCHEDULE		DOOR										REMARKS		
MARK/LOCATION		TYPE	WIDTH	HEIGHT	THICK	MAT	FINISH	HEAD DTL	JAMB DTL	SILL DTL	FRAME		MAT	FINISH
100	VESTIBULE / EXTERIOR	D4	(2)3'-0"	7'-0"	1 3/4"	ALUM/GL	FLUOR	245/A2.1	244/A2.1	1/A2.1	F3	ALUM	FLUOR	E-1
101	KITCHEN / EXTERIOR	D1	3'-4"	7'-5"	1 3/4"	HM	PT	7/A2.1	6/A2.1	8/A2.1	F1	HM	PT	E-2
102	YARD EQUIPMENT / EXTERIOR	D1	(2)3'-0"	6'-9 1/2"	1 3/4"	HM	PT	7/A2.1	6/A2.1	8/A2.1	F1	HM	PT	E-4
103	STORAGE / EXTERIOR	D1	(2)3'-0"	6'-9 1/2"	1 3/4"	HM	PT	7/A2.1	6/A2.1	8/A2.1	F1	HM	PT	E-4
104	MECHANICAL / EXTERIOR	D1	(2)3'-0"	6'-9 1/2"	1 3/4"	HM	PT	7/A2.1	6/A2.1	8/A2.1	F1	HM	PT	E-4
105	CORRIDOR / EXTERIOR	D2	(2)3'-6"	6'-9 1/2"	1 3/4"	HM/GL	PT	9410/A2.1	6/A2.1	8/A2.1	F2	HM	PT	E-3
106	CORRIDOR / EXTERIOR	D3	3'-6"	6'-4"	1 3/4"	HM/GL	PT	7/A2.1	6/A2.1	8/A2.1	F1	HM	PT	E-2
107	CORRIDOR / EXTERIOR	D3	3'-6"	6'-4"	1 3/4"	HM/GL	PT	7/A2.1	6/A2.1	8/A2.1	F1	HM	PT	E-2
108	CLASSROOM / EXTERIOR	D1	3'-0"	7'-0"	1 3/4"	HM	PT	7/A2.1	6/A2.1	8/A2.1	F1	HM	PT	E-2



© AHARONIAN & ASSOCIATES INC. 2017